

 **Infinity**[®]

reference series

505cs, 605cs
& 105t

instructions

Thank you for purchasing Infinity's Reference Series automotive loudspeaker components. We've organized this manual to make your installation as simple and trouble-free as possible. Please read it thoroughly before proceeding. Remember to keep your sales receipt with this manual in a safe place so both are available for future reference.

IMPORTANT: Installation of automotive stereo components can require extensive experience with a variety of mechanical and electrical procedures. Although these instructions explain how to install Reference Series speakers in a general sense, they do not show the exact installation methods for your particular vehicle. If you do not feel you have the experience, do not attempt the installation yourself, but instead ask your authorized Infinity car-audio dealer about professional installation options.

WARNING: Playing loud music in an automobile can permanently damage your hearing, as well as hinder your ability to hear traffic. The maximum volume levels achievable with Infinity speakers, combined with high power amplification, may exceed safe levels for extended listening. We recommend using low volume levels when driving. Infinity accepts no liability for hearing loss, bodily injury, or property damage as a result of use or misuse of this product.

INSTALLATION WARNINGS AND TIPS

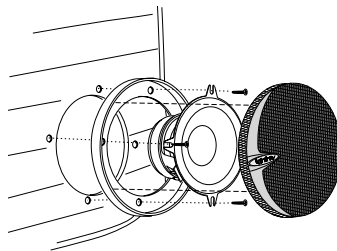
- Always wear protective eyewear when using any tools.
- Turn off all audio systems and other electrical devices before you start. Disconnect the (-) negative lead from your vehicle's battery.
- Keep speakers in their package until final installation. When moving a speaker, always rest it with the cone or dome facing up. Never use force to install any speaker.
- Check clearances on both sides of a planned mounting surface before drilling any holes or installing any screws. Remember that the screws can extend behind the surface.
- At the installation sites, locate and make a note of all fuel lines, hydraulic brake lines, vacuum lines, and electrical wiring. Use extreme caution when cutting or drilling in and around these areas.

CAUTION: In some cars, fuel tanks may be located directly beneath the rear deck. Check for adequate speaker basket clearance before considering this location!

- Before drilling or cutting holes, use a utility knife to remove unwanted fabric or vinyl, to keep material from snagging in a drill bit or saw.
- For door installations, check the clearance with the windows throughout the range of the window's travel, and verify that a mounted speaker will not interfere with the window crank or power window mechanism.
- If mounting speakers elsewhere, check for clearance around rear deck torsion bars, glove box, or other structural elements.
- Do not mount speakers where they will get wet.

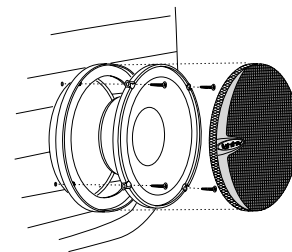
INSTALLATION

Figure 1.
Mounting the 505cs woofer.



INSTALLATION

Figure 2.
Mounting the 605cs woofer with the grille.



INSTALLATION

Figure 3.
Mounting the 605cs woofer in standard speaker locations.

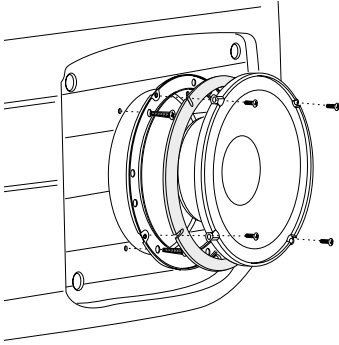
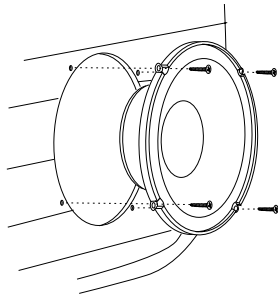
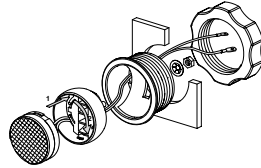


Figure 4.
Mounting the 605cs in 165mm speaker locations.



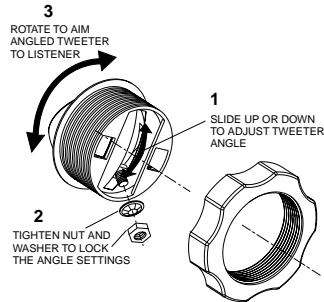
INSTALLATION

Figure 5A.
Mounting the tweeter using the I-Mount™ (pat. 5,859,917) flush-mounting kit.



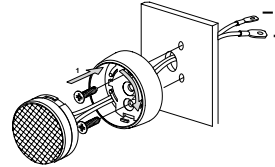
Note: Aim the tweeter at the listening position by sliding the stud in the groove on the back of the tweeter cup and rotating the entire assembly in the mounting surface. Lock the tweeter in place, using the small retaining nut and the large plastic mounting nut.

Figure 5B.



INSTALLATION

Figure 6.
Mounting the tweeter using the I-Mount™ surface-mounting kit.



INSTALLATION

Connect the speakers to the crossover and the crossover to the amplifier, observing proper polarity.

Note: If you have purchased the 105t as a separate component, connect the tweeter with the in-line crossover to the amplifier, observing the proper polarity.

Figure 7A.

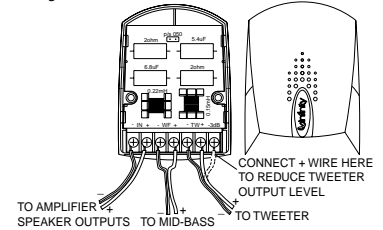
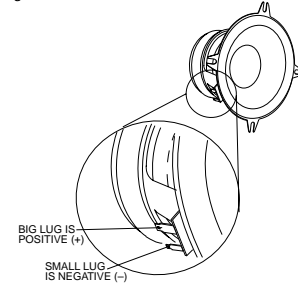


Figure 7B.



SPECIFICATIONS

505cs

Type: 5-1/4" 2-Way Component System
Speaker Impedance: 4 Ohms
Power Handling: 75W RMS, 225W Peak
Frequency Response: 72Hz – 20kHz
Sensitivity: 92dB
Crossover Frequency: 3.5kHz
Mounting Depth: Woofer: 2-1/4" (58mm)
Tweeter: 1-3/16" (31mm)
Cut-out Diameter: Woofer: 4-5/8" (118mm)
Tweeter: 1-3/4" (45mm)

605cs

Type: 6-1/2" 2-Way Component System
Speaker Impedance: 4 Ohms
Power Handling: 90W RMS, 270W Peak
Frequency Response: 54Hz – 20kHz
Sensitivity: 92dB
Crossover Frequency: 3.5kHz
Mounting Depth: Woofer: 2-1/16" (53mm)
Tweeter: 1-3/16" (31mm)
Cut-out Diameter: Woofer: 5" (127mm)
Tweeter: 1-3/4" (45mm)

105t

Type: 1" Tweeter
Speaker Impedance: 4 Ohms
Power Handling: 50W RMS, 150W Peak
Frequency Response: 2.5kHz – 20kHz
Sensitivity: 91dB
Crossover Frequency: 3.5kHz
Mounting Depth: 1-3/16" (31mm)
Cut-out Diameter: 1-3/4" (45mm)

Infinity Systems, Inc. • 250 Crossways Park Drive
Woodbury, NY 11797 USA • (800) 553-3332 • FAX (516) 682-3523
P/N: REFSERCS/TOM
H A Harman International Company



DECLARATION OF CONFORMITY



We, Harman Consumer International
2, Route de Tours
72500 Chateaux-du-Loir
France

declare in own responsibility, that the products described in this owner's manual are in compliance with technical standards:
EN 50081-1:1992
EN 50082-1:1992

A handwritten signature in black ink, appearing to read "Lutz Uphoff".

Lutz Uphoff
Harman Consumer International 1299